



SATELLIGENT

LIMITLESS BASIC DATA SHEET



Features

- Full 9-wire RS232 interface to Iridium® 9523 transceiver
- Wide supply voltage range (4.5– 32 VDC)
- Transient voltage protection
- Integrated SIM card holder
- Screw mountable aluminum enclosure
- Small solution size (4.8L x 2.6W x 1.3H inch)
- SMA RF connector
- Easy integration into OEM products with a convenient DB15 interface



Description

The LIMITLESS BASIC from SATELLIGENT is a fully packaged solution consisting of the 9523 L-Band Transceiver (LBT) from Iridium®. In addition to Short Burst Data (SBD) capabilities, the LIMITLESS BASIC offers large data transfer capabilities including Circuit Switched Data (CSD) and Router-Based Unrestricted Digital Internetworking Connectivity Solutions (RUDICS).

The LIMITLESS BASIC features a direct 9-wire RS232 interface to the 9523 transceiver. The small form factor along with convenient screw mounting options allows easy integration of the 9523 transceiver into a wide range of end user applications, including remote area communications, asset tracking and industrial controls and monitoring. Power and communication signals are brought out to a single DB15 male connector allowing easy cable harness assembly. The LIMITLESS BASIC can be used in harsh automotive environments thanks to the in-built transient voltage protection. The wide operational voltage range of the LIMITLESS BASIC enables the use of a variety of battery packs.



Specifications

Parameter	Min	Typ	Max	Unit
Input Voltage (V_{in})	4.5	-	32	V
Nominal Current		70		mA
Operating Temperature	-30	-	70	°C

DB15 Connector Pin Description

The LIMITLESS BASIC features a DB15 male connector that enables all power and communication signals to be on the same physical interface. The pinout of the connector is as shown below.

Pin	Name	Primary Function	Input/Output
1	VIN	Input Supply Positive	
2	VIN	Input Supply Positive	
3	GND	Ground	
4	RSVD	Reserved	
5	GND	Ground	O
6	EXT_UART_TXD	UART Transmit	I
7	EXT_UART_RXD	UART Receive	O
8	GND	Ground	
9	EXT_UART_DCD	UART Data Carrier Detect	O
10	EXT_UART_DSR	UART Data Set Ready	O
11	EXT_UART_CTS	UART Clear To Send	O
12	EXT_UART_RI	UART Ring Indicator	O
13	EXT_UART_RTS	UART Request To Send	I
14	EXT_UART_DTR	UART Data Terminal Ready	I
15	TX_ACTIVE	9523 Active Signal	O

* The pin designation is defined as looking into the DB15 towards the LIMITLESS BASIC as a Data Communication Equipment.

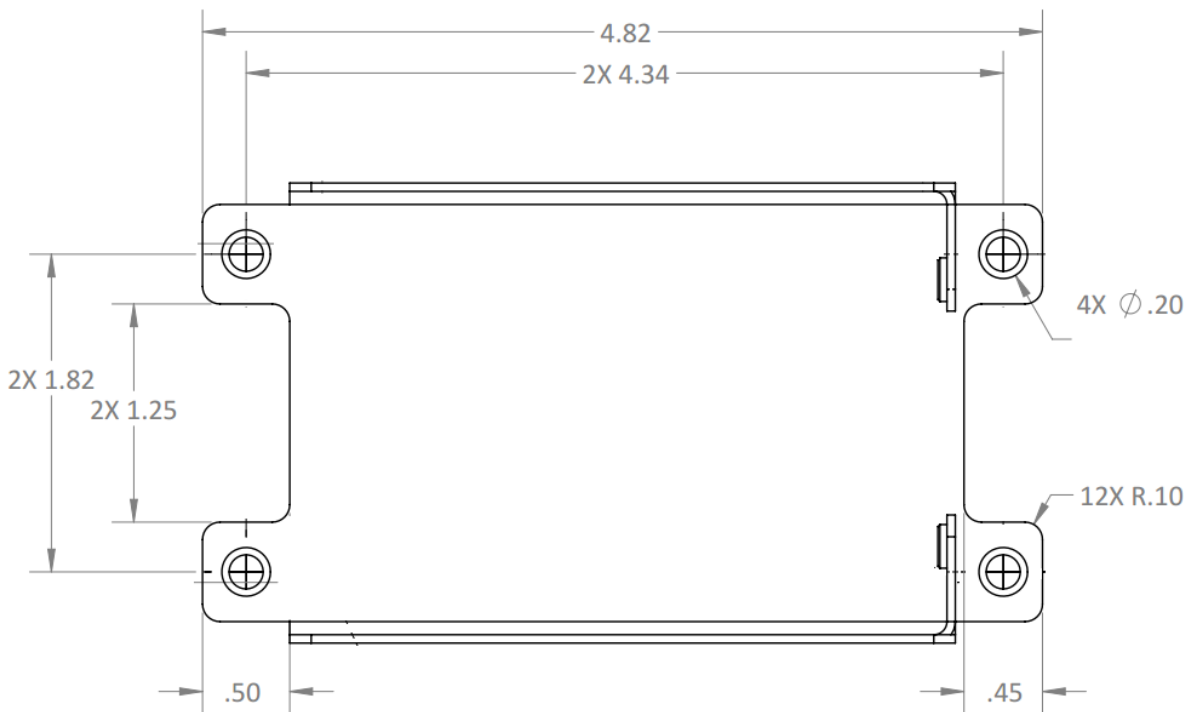


Antenna Connector

An SMA type RF connector is provided for Iridium antenna connection.

Mechanical Footprint

The mechanical footprint of the LIMITLESS BASIC device is shown below. #6 mounting screws can be used for securing the device using the mounting feet.



* Dimensions are in inches.

Revision History

Version	Date	Comments
1.0	11-Aug-2014	Initial Release.